



Demitec® watermaker series: 'The Gods of the Seas'



**HATENBOER - WATER**

**Triton series  
Oceanus series  
Proteus series**

# THE GODS OF THE SEAS



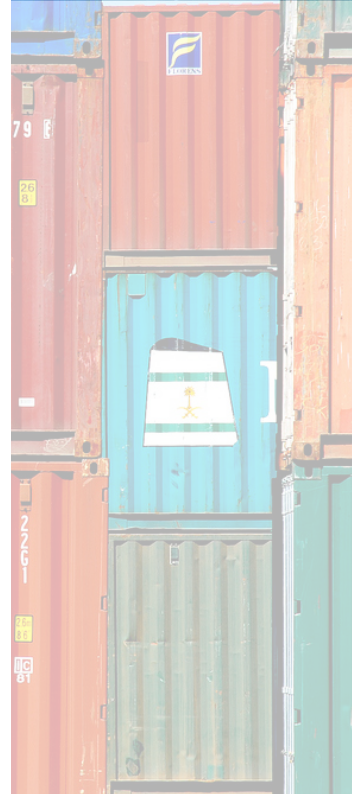
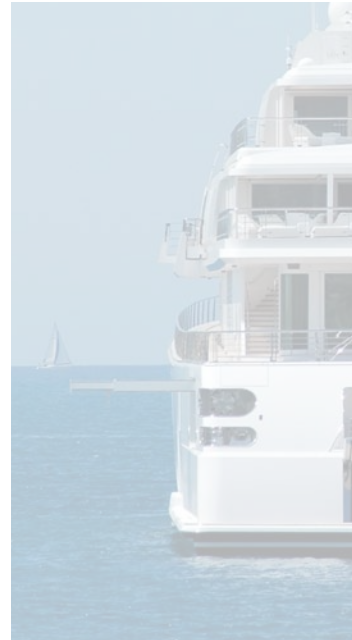
**DEMITEC® TRITON SERIES**



**DEMITEC® OCEANUS SERIES**



**DEMITEC® PROTEUS SERIES**



# DEMITEC® RO DESALINATION SYSTEMS



## Custombuilt

For your reliable potable water production on board our Demitec® RO seawater desalination systems are available in a wide range of capacities.

Your maritime or offshore demands and conditions are met in a proven heavy duty design. Your system is designed to our high Hatlenboer-Water standards, based on our more than hundred years of experience in your market.

## The Gods of the Seas

Besides the successful custom built Demitec® RO range Hatlenboer-Water has developed a new standard reverse osmosis series for the shipping, offshore & super-yacht market. The series are named after historic Greek sea gods, being Triton, Oceanus and Proteus. This standard watermaker range is part of the proven Demitec® RO family and will provide safe and reliable water for the ships crews.



Triton



Oceanus



Proteus



# DEMITEC® TRITON SERIES

## Triton

The Triton series covers a range of 3-16 m<sup>3</sup>/day fresh water production and is intended for mega motor and sailing yachts.

The Triton offers compact dimensions, flexible installation options, large performance.

### Compact , flexible & complete design

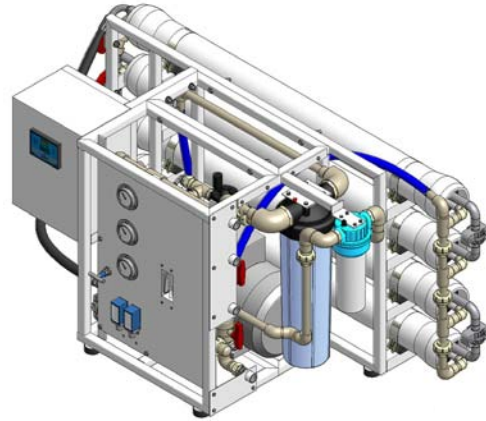
- Modular unit for flexible installation options in limited space.
- Compact high pressure pump.
- Multi positions membrane rack for all possible mounting positions.
- Integrated automatic fresh flush provision for increase membrane life time.

### Reliable and safe

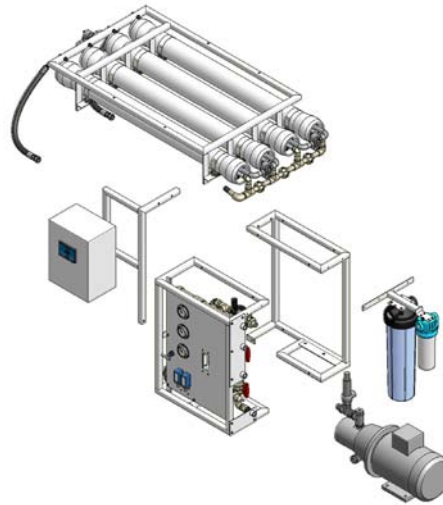
- Durable & automatic design for reliable & unattended operation.
- Product water monitoring and indication for continuous water quality control.

### Optional features

- Chemical cleaning set (CIP) to increase membrane life time.
- Post treatment equipment to improve and preserve water quality.

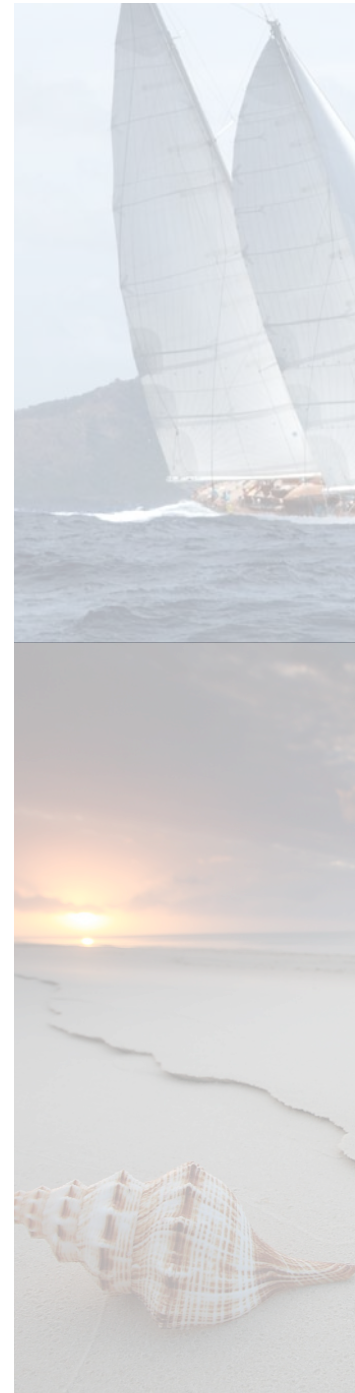


Skidded DTS



Modular DTS

| Model    | Capacity            | Feed water |       | Dimensions |     |     | Power     |
|----------|---------------------|------------|-------|------------|-----|-----|-----------|
|          |                     | TDS        | Temp. | L          | W   | H   | Installed |
| Triton   | m <sup>3</sup> /day | ppm        | °C    | mm         | mm  | mm  | kWatt     |
| DTS 25-2 | 3                   | 35000      | 25    | 1220       | 550 | 620 | 2.2       |
| DTS 25-3 | 4.5                 | 35000      | 25    | 1265       | 550 | 620 | 2.2       |
| DTS 25-4 | 6                   | 35000      | 25    | 1280       | 550 | 620 | 2.2       |
| DTS 40-2 | 8                   | 35000      | 25    | 1595       | 735 | 750 | 5.5       |
| DTS 40-3 | 12                  | 35000      | 25    | 1615       | 735 | 750 | 5.5       |
| DTS 40-4 | 16                  | 35000      | 25    | 1615       | 735 | 750 | 5.5       |



# DEMITEC® OCEANUS SERIES



## Oceanus

The Oceanus series covers a range of 6-18 m<sup>3</sup>/day fresh water production and is intended for vessels with limited space for installation available, such as tugs, support vessels, dredgers, etc.

The Oceanus offers easy installation, compact design, automatic operation and reliable operation.

## Durable design

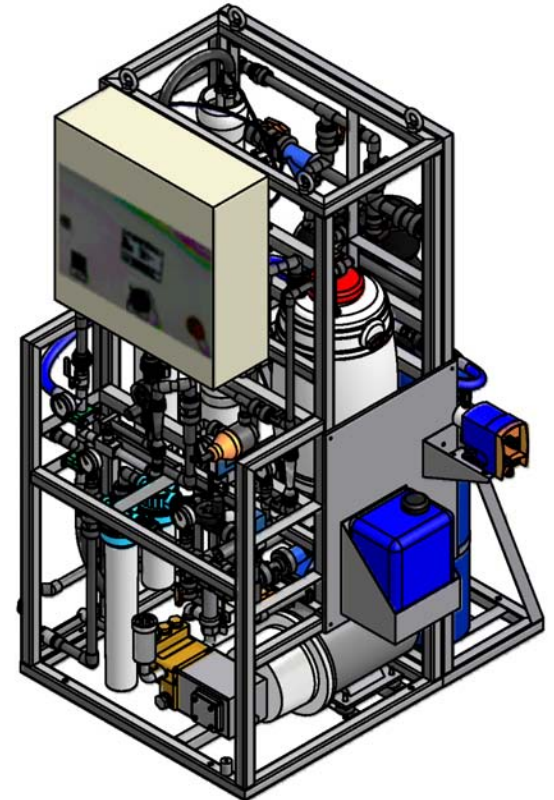
- Ridged steel coated base frame for easy installation.
- High pressure plunger pump of stainless steel material for extended trouble free operation.
- Automatic fresh flush & Chemical cleaning unit provision for long membrane life.

## Ensured water quality

- Product water monitoring and indication for water quality control.
- Product water dump at off spec quality.

## Optional features

- Cyclone separator for improved prefiltration in coastal areas.
- Post treatment equipment, to improve & preserve water quality.
- Pre & Post treatment skid, safes installation time & costs.



DOS including HDU

| Model    | Capacity            | Feed water |       | Dimensions |     |      | Power     |
|----------|---------------------|------------|-------|------------|-----|------|-----------|
|          |                     | TDS        | Temp. | L          | W   | H    | Installed |
| Oceanus  | m <sup>3</sup> /day | ppm        | °C    | mm         | mm  | mm   | kWatt     |
| DOS 40-2 | 6                   | 35000      | 25    | 850        | 750 | 1800 | 6.25      |
| DOS 40-3 | 9                   | 35000      | 25    | 850        | 750 | 1800 | 6.25      |
| DOS 40-4 | 12                  | 35000      | 25    | 850        | 750 | 1800 | 6.25      |
| DOS 40-5 | 15                  | 35000      | 25    | 850        | 750 | 1800 | 6.25      |
| DOS 40-6 | 18                  | 35000      | 25    | 850        | 750 | 1800 | 6.25      |

# DEMITEC® PROTEUS SERIES

## Proteus

The Triton series covers a range of 25-150 m<sup>3</sup>/day fresh water production and is intended for offshore installations, as jack-up drilling rigs, semi subs, drill ships, pipe lay vessels, accommodations, etc.

The Triton offers a heavy duty offshore design, large production, continuous and reliable operation.

### Heavy duty offshore design

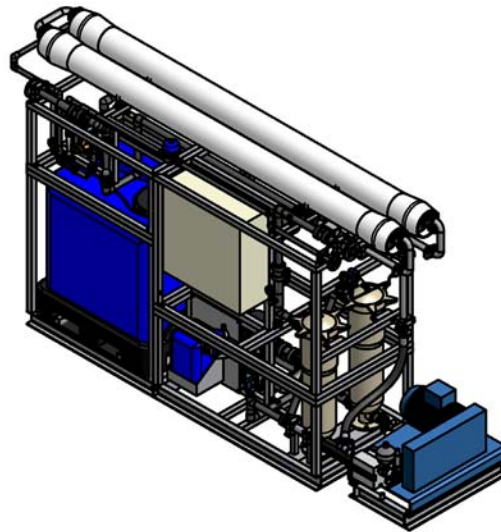
- Box type ridged steel base frames for safe transport & easy installation.
- Sea Water intake pressure control system for a reliable process.
- Duplex stainless steel high pressure manifolds for long life time.
- Slow running high pressure pump for long life time en minimal down time.

### Enhanced membrane life time

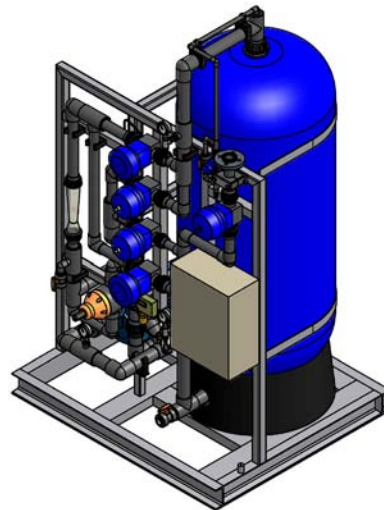
- Large prefiltration surface for increased filtration performance.
- Conservative membrane design with low loads to minimize fouling.
- Automatic fresh flush system to prevent fouling at standby modus.
- Chemical cleaning unit for revalidate fouled membranes.
- Chemical conservation to preserve membrane in offline mode.

### Optional features

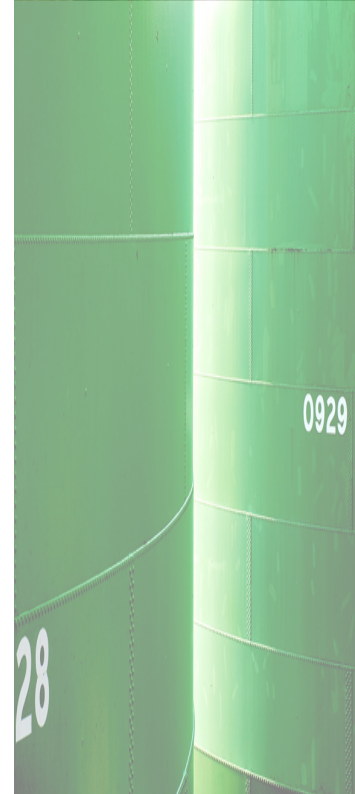
- Additional prefiltration for increased filtration efficiency (coastal water, river estuaries etc).
- RO Post treatment equipment, to improve and preserve water quality.



DPS RO module



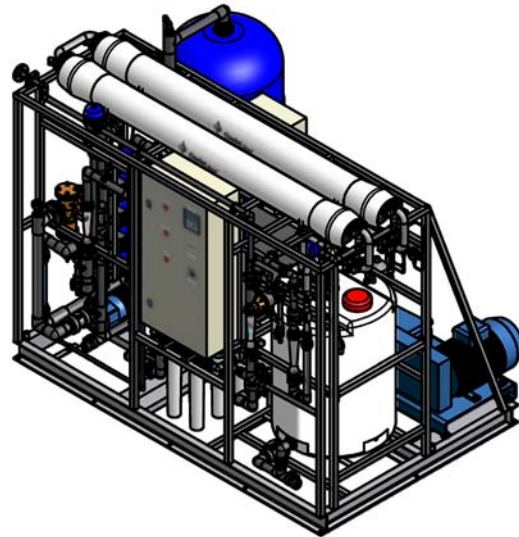
DPS MMF module



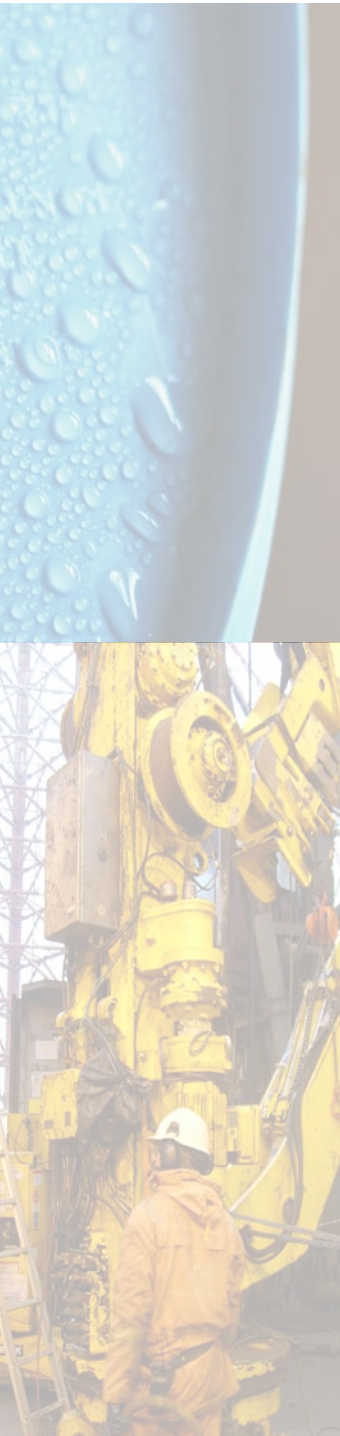
# DEMITEC® PROTEUS SERIES

| Model     | Capacity            | Feed water |       | Dimensions                        |                                   |                                   | Power     |
|-----------|---------------------|------------|-------|-----------------------------------|-----------------------------------|-----------------------------------|-----------|
|           |                     | TDS        | Temp. | L*                                | W*                                | H*                                | Installed |
| Proteus   | m <sup>3</sup> /day | ppm        | °C    | mm                                | mm                                | mm                                | kWatt     |
| DPS 80-2  | 25                  | 36000      | 25    | 2850                              | 1600                              | 2380                              | 12.5      |
| DPS 80-3  | 35                  | 36000      | 25    | 2850                              | 1600                              | 2380                              | 14        |
| DPS 80-4  | 50                  | 36000      | 25    | MMF mod<br>1200<br>RO mod<br>3800 | MMF mod<br>1300<br>RO mod<br>1375 | MMF mod<br>2450<br>RO mod<br>2000 | 17.5      |
| DPS 80-6  | 75                  | 36000      | 25    | MMF mod<br>1200<br>RO mod<br>3800 | MMF mod<br>1300<br>RO mod<br>1375 | MMF mod<br>2450<br>RO mod<br>2000 | 20        |
| DPS 80-8  | 100                 | 36000      | 25    | MMF mod<br>1300<br>RO mod<br>3800 | MMF mod<br>1300<br>RO mod<br>1375 | MMF mod<br>2500<br>RO mod<br>2000 | 27.5      |
| DPS 80-9  | 120                 | 36000      | 25    | MMF mod<br>1600<br>RO mod<br>4500 | MMF mod<br>1700<br>RO mod<br>1500 | MMF mod<br>2900<br>RO mod<br>2000 | 35        |
| DPS 80-12 | 150                 | 36000      | 25    | MMF mod<br>1600<br>RO mod<br>4500 | MMF mod<br>1700<br>RO mod<br>1500 | MMF mod<br>2900<br>RO mod<br>2000 | 40        |

\* All mentioned dimensions are preliminary and subject to change



DPS complete unit



**Hatenboer-Water b.v.**

P.O. Box 6013  
3002 AA ROTTERDAM  
The Netherlands

Mercuriusweg 8  
3113 AR SCHIEDAM  
The Netherlands

Tel. +31 (0)10 409 12 00  
Fax +31 (0)10 409 12 10  
Email: [info@hatenboer-water.com](mailto:info@hatenboer-water.com)  
Internet: [www.hatenboer-water.com](http://www.hatenboer-water.com)

|                                      |
|--------------------------------------|
| <i>Industry</i>                      |
| <i>Shipping and Offshore</i>         |
| <i>Horticulture</i>                  |
| <i>Installation contracting</i>      |
| <i>Government authorities</i>        |
| <i>Swimming baths and Recreation</i> |
| <i>Aviation</i>                      |
| <i>Trade</i>                         |
| <i>... Your field !</i>              |



*Fresh in water since 1906!*

